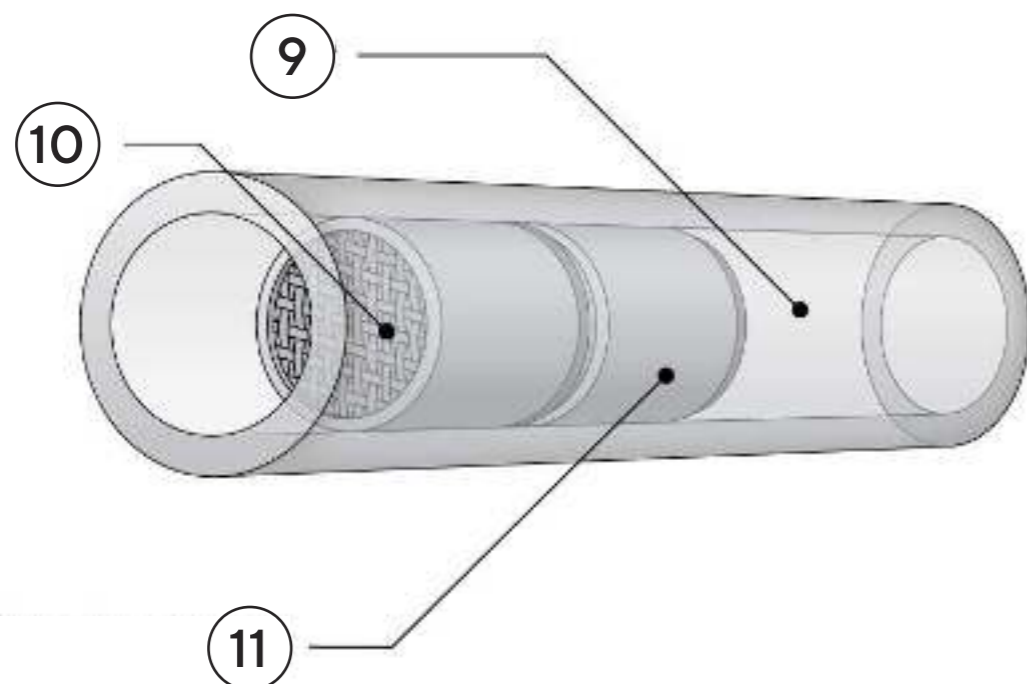
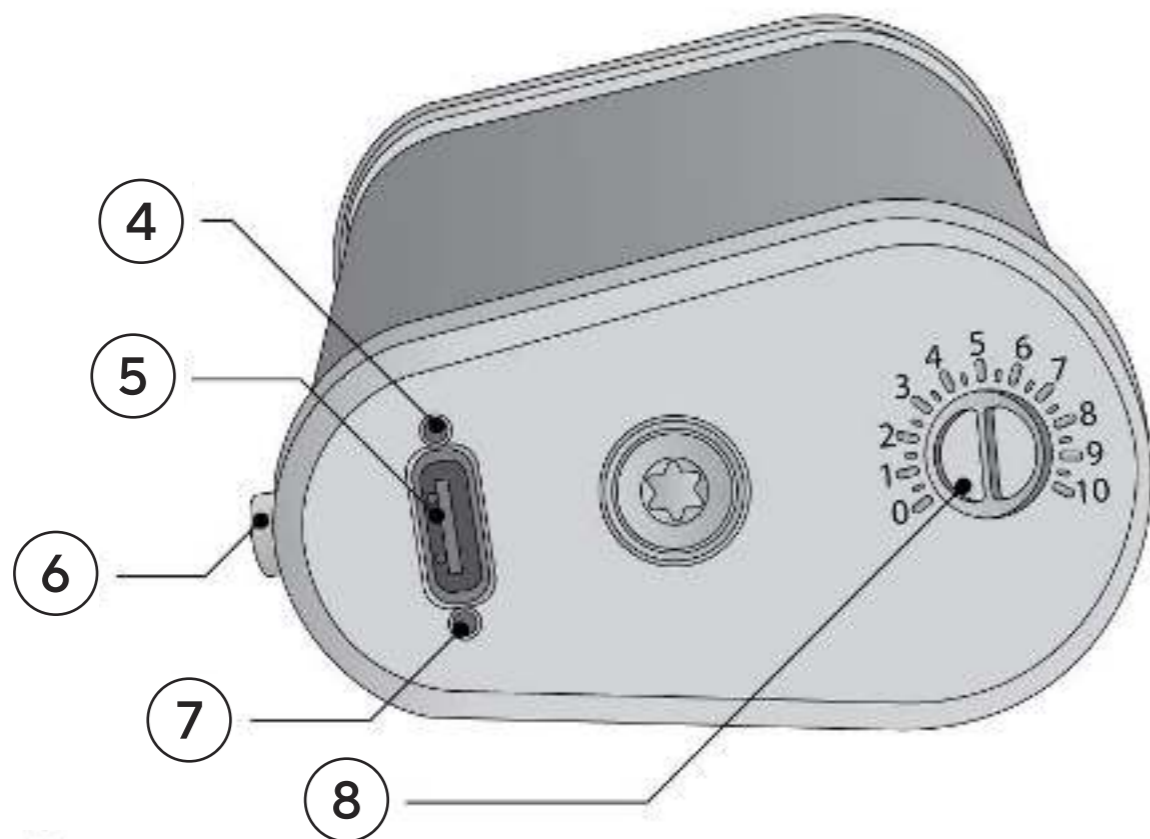
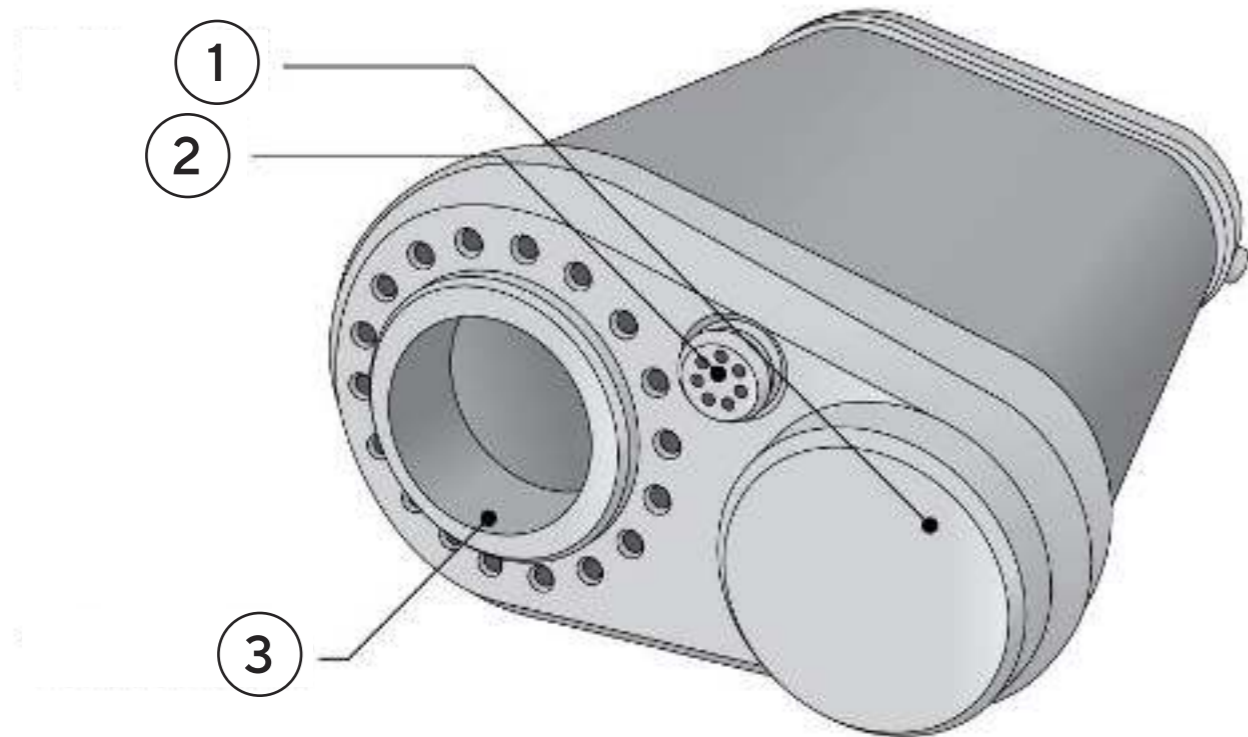

TINYMIGHT 2

OPERATING INSTRUCTIONS



Product Labelling



- ① Battery lid
- ② Multitool
- ③ Tube holder
- ④ Power LED
- ⑤ Charging connector
- ⑥ Button
- ⑦ Charge LED
- ⑧ Temperature level
- ⑨ Tube
- ⑩ Herb chamber
- ⑪ Cooling unit

Getting Started



Two modes, 2 ways to use the Tinymight 2:

1 ON-DEMAND MODE

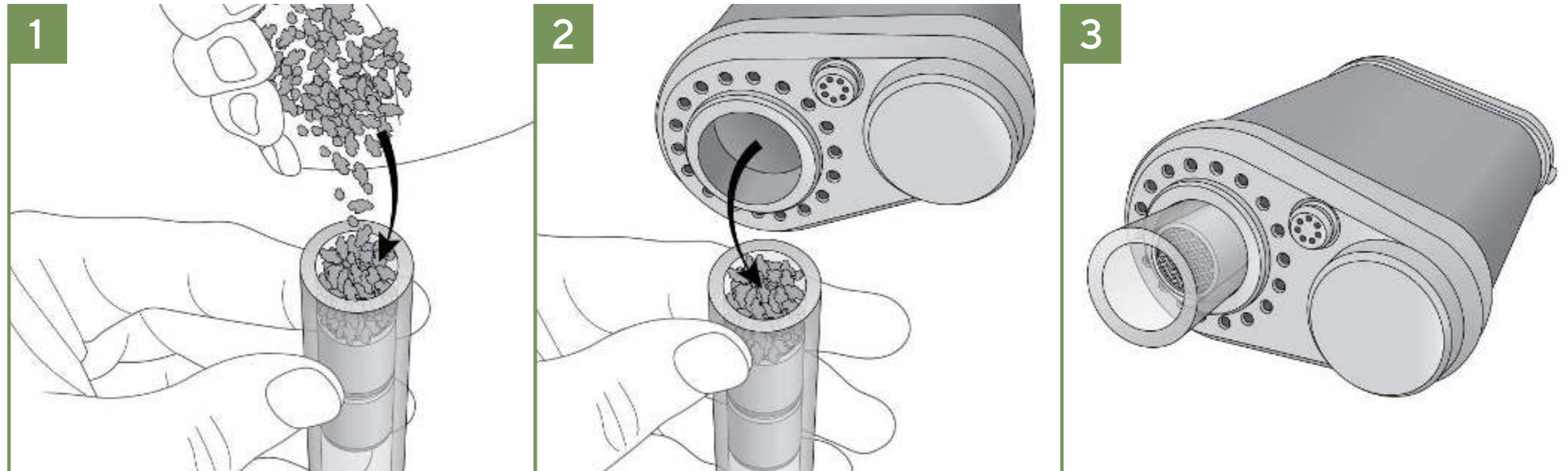
The unit is heating up only when the button is held down. Hold the button-Inhale after the unit has vibrated. Release the button.

2 SESSION MODE

The unit heats up and keeps the temperature stable until the unit is turned off. Hold the button to boost the temp. Some call this a hands free mode as pressing of the button is not needed while using it.

Operating Instructions

A. Herb placement



1. Hold the unit upside down, pull out the tube and place the herb on the screen.

2. Push the tube back into the unit while holding it upside down.

3. Herb placed.

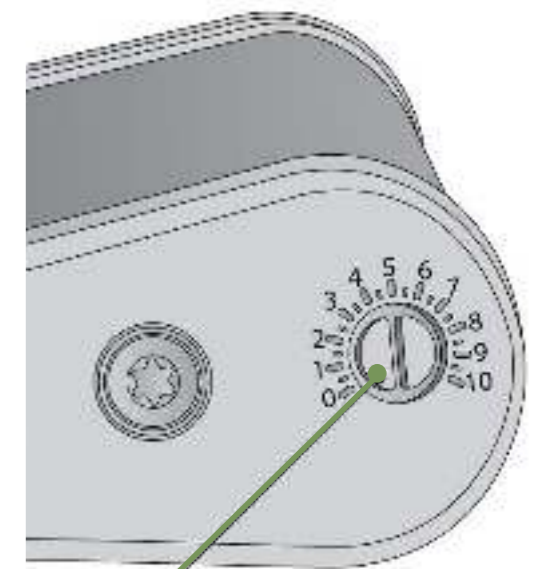
B. Adjusting the temperature level

There is a temperature dial on the bottom panel. You can adjust it easily. Please see **Appendix 1** for a list of temperatures at each setting.

* When the dial is set at 0, the lock feature is activated and it cannot be turned on!

Tip: The Tinymight 2 is a full convection device. This means that to be effective the inhalation must be a bit longer, as the herb needs some airflow to get up to the right temperature.

Adjust the temperature level



Tip: The temperature range of the unit has been chosen to fit most purposes. If for some reason the default range of temperatures is not suitable, the Tinymight 2 allows to adjust the range, please see **Appendix 2** for instructions.

Operating Instructions

C. Turning on the unit

On-demand mode: Press the button three times quickly.

Session mode: Press the button three times quickly, and DON'T RELEASE it until the unit has stopped vibrating.

D. Turning off the unit

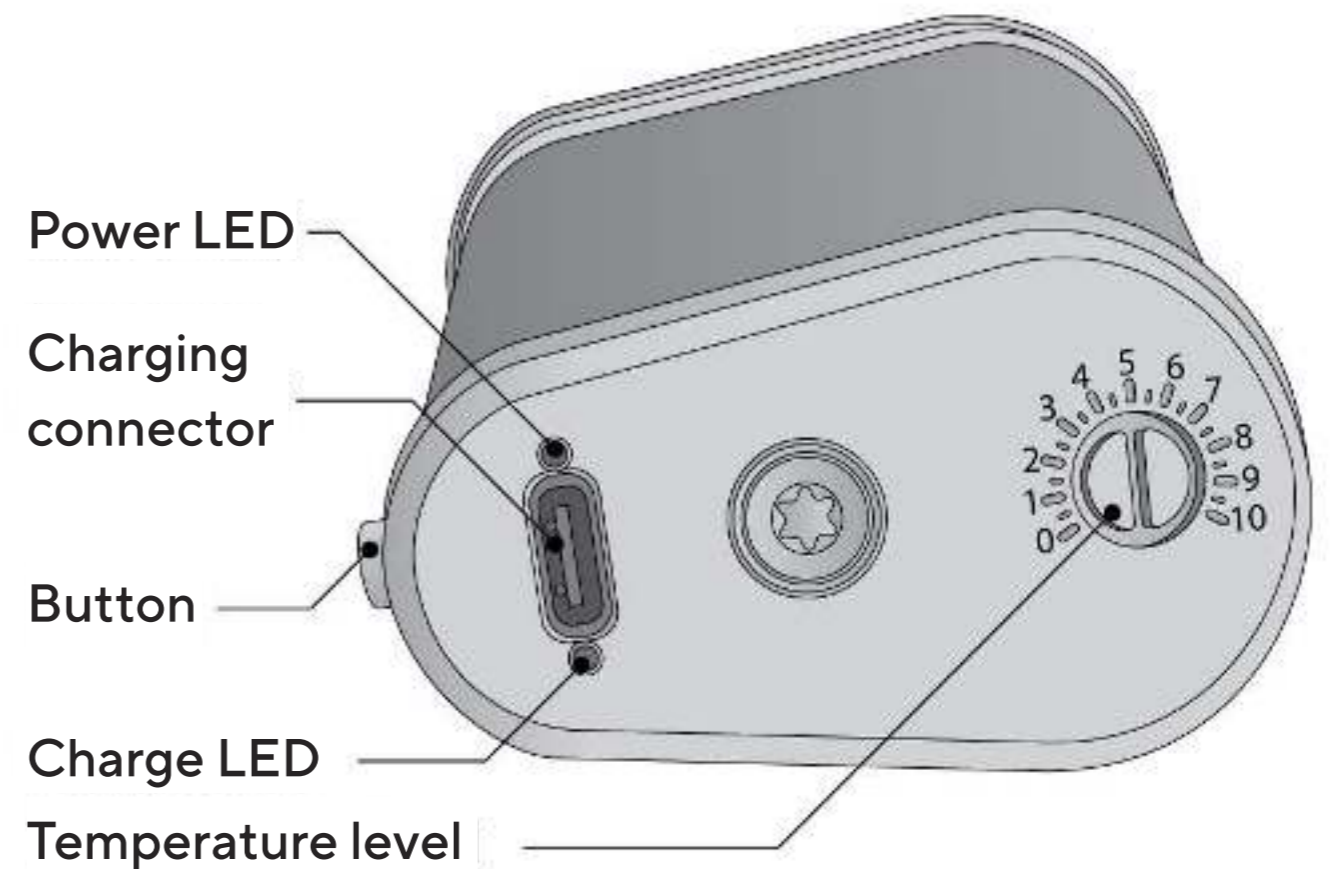
Press the button three times.

E. Battery charging

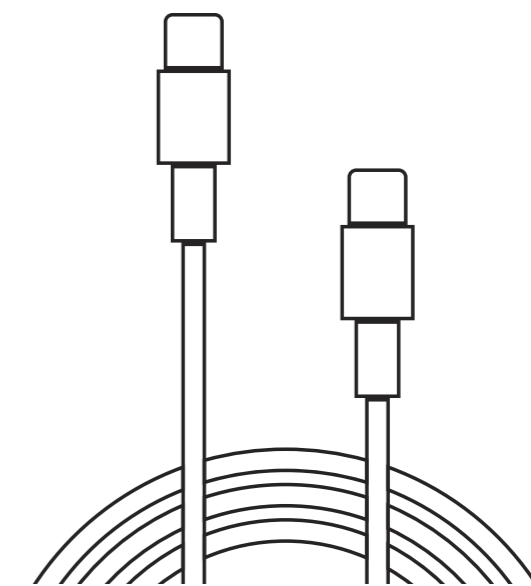
Insert a USB cable to the charging connector. The red charge LED is on during charging, and turns off when completed. Make sure the adapter can supply at least 2 Amps of current.

F. Battery level

The unit shows the battery level using both vibrations and color of lights. Full battery will give a green color and 4 vibrations.



● Charge LED
≥ 2Amps

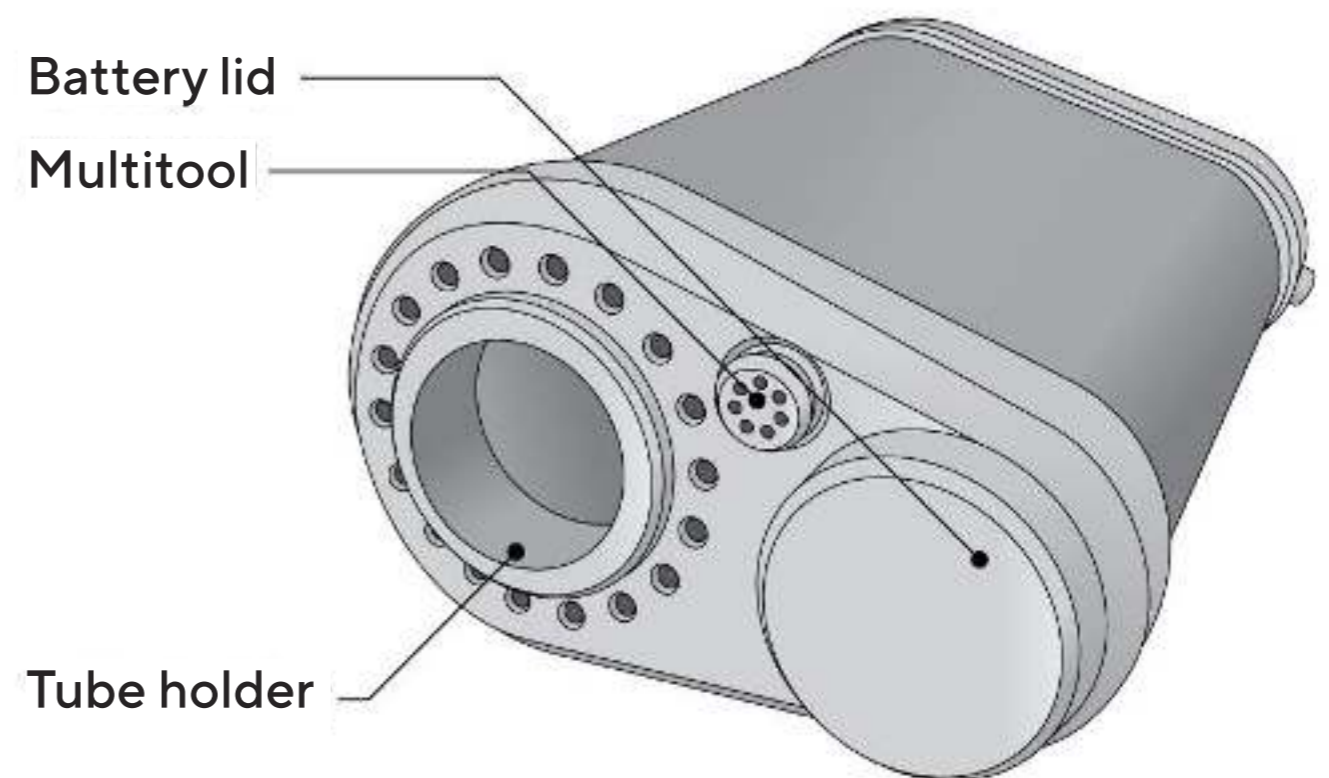


- Green – 4 vibrations
- Blue – 3 vibrations
- Purple – 2 vibrations
- Red – 1 vibration

Operating Instructions

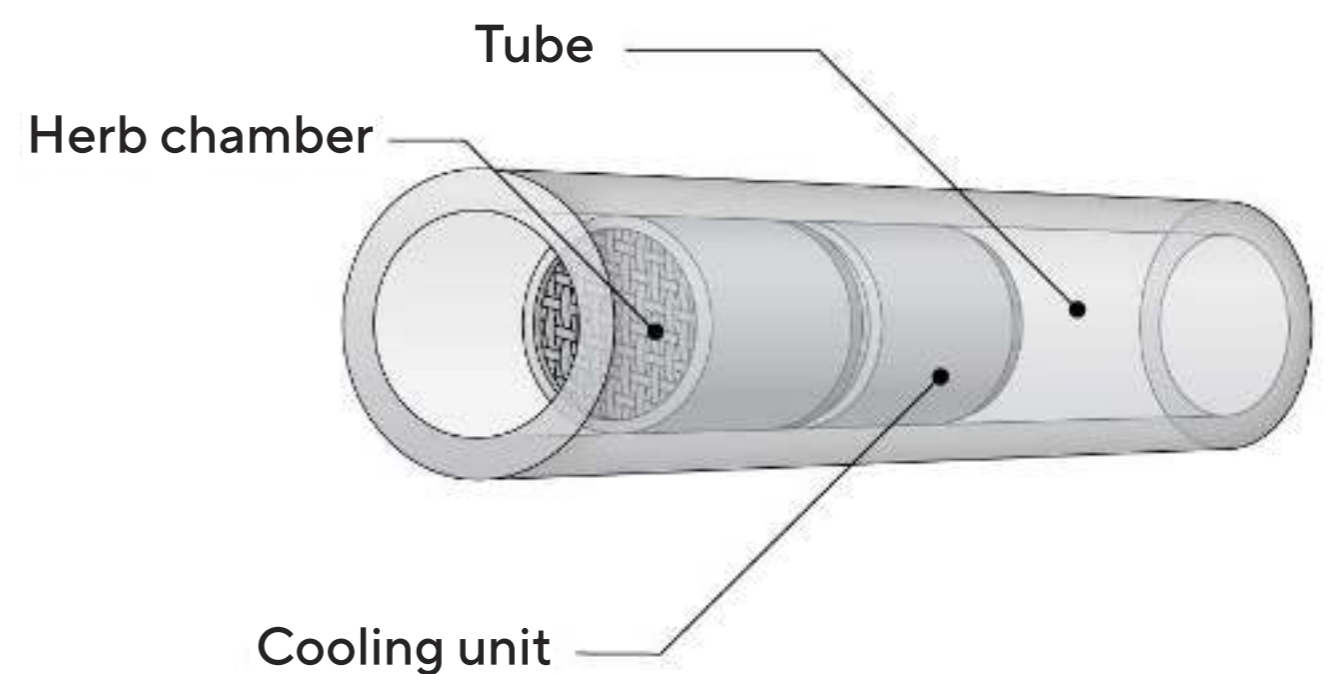
G. Replacing the battery

Open the battery lid by turning it anti-clockwise. Replace the battery. The positive end of the battery faces the lid. If the lid doesn't turn comfortably, you can apply some oil to the threads of the lid. If you use other battery than the one delivered with the unit please note: The battery must be a high quality high current li-ion 18650 battery. Tinymight 2 requires over 20A of continuous current.



H. Adjusting the chamber capacity

The cooling unit moves within the glass tube. You can move it easily with the multitool of the unit. Do not push the mesh screen, but from the solid sides of the cooling unit. This feature enables both micro dosing and macro dosing and anything in between.



Tip: The multitool can be used to adjust the position of the cooling unit, to empty the contents of the chamber, to stir to contents of the chamber, to tamp down the material in the chamber.

Operating Instructions

I. Beast mode

Turn the temperature setting to max, the lights change color to white instead of showing the battery level. The unit delivers the highest available heat level. Please be careful with this since it delivers much higher temperature than **level 9**. Beast mode is available **ONLY** in **On-demand mode**.

J. Stealth mode

If you want to disable the lights of the unit, turn on the unit to **Session mode**. Turn then the temperature to max, and press the button once. Turn the temperature to minimum and press the button once. Now the lights will turn off. By opening and closing the battery lid, the setting will reset back to normal.

K. Cleaning

The glass tube can be washed with water and detergent, or it can be submerged to isopropyl alcohol. **DON'T place the o-rings to the solvent.**

Tinymight 2 allows to take some of the internal parts easily out for cleaning. Unscrew the tubeholder ring with fingers, remove the red o-ring, and the metal insert. These parts can be washed similarly to the glass tube.



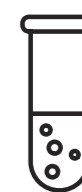
Water



Detergent



Isopropyl
Alcohol



Solvent



Tip: If you ever need to replace the o-rings, please note there are two different sized o-rings on the cooling unit. Smaller and a little bit bigger one. This provides usually the best fit and feel.

* NOTE: The big screw at the bottom of the unit is NOT intended to be removed.

APPENDIX

APPENDIX 1

- 0 LOCK
- 1 140°C / ~290°F
- 2 150°C / ~310°F
- 3 160°C / ~330°F
- 4 170°C / ~345°F
- 5 180°C / ~360°F
- 6 190°C / ~380°F
- 7 200°C / ~395°F
- 8 210°C / ~410°F
- 9 220°C / ~430°F
- 10 250°C / ~490°F
(session mode limited to 230°C / ~450°F)

APPENDIX 2

Changing the temperature range of the unit

- 1 Open and close the battery lid.
- 2 Turn the temp dial to 0, and triple click the button. The lights at the bottom of the unit will flash for a moment. Wait for a couple of seconds.
- 3 Repeat the previous step 4 times.
- 4 Turn the dial to 6 and triple click the button. The unit will vibrate continuously and show green light at the back.
- 5 Choose a higher or lower temp range by turning the dial. Level 6 (green) is the default range. Level 10 (white) provides the highest temperatures and 0 (blue) the lowest temperatures.
- 6 Press and hold the button about 5 seconds, until all vibrations have stopped, and release. Turn off the unit with triple click of the button. Now the temperature range has been adjusted.

When the unit is turned on, it will quickly flash the color of the chosen range to remind what is the current setting.



[MagicVaporizers](#) – Europe's Best Shop for Vaporizers

- Lowest prices
- Fastest shipping
- Most trusted warranty

